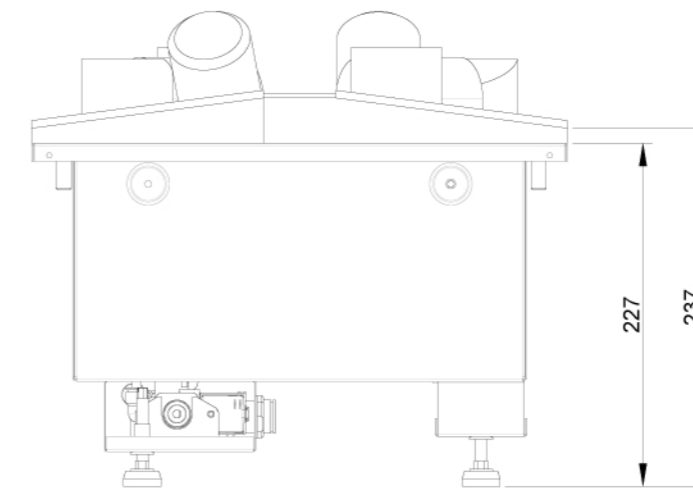
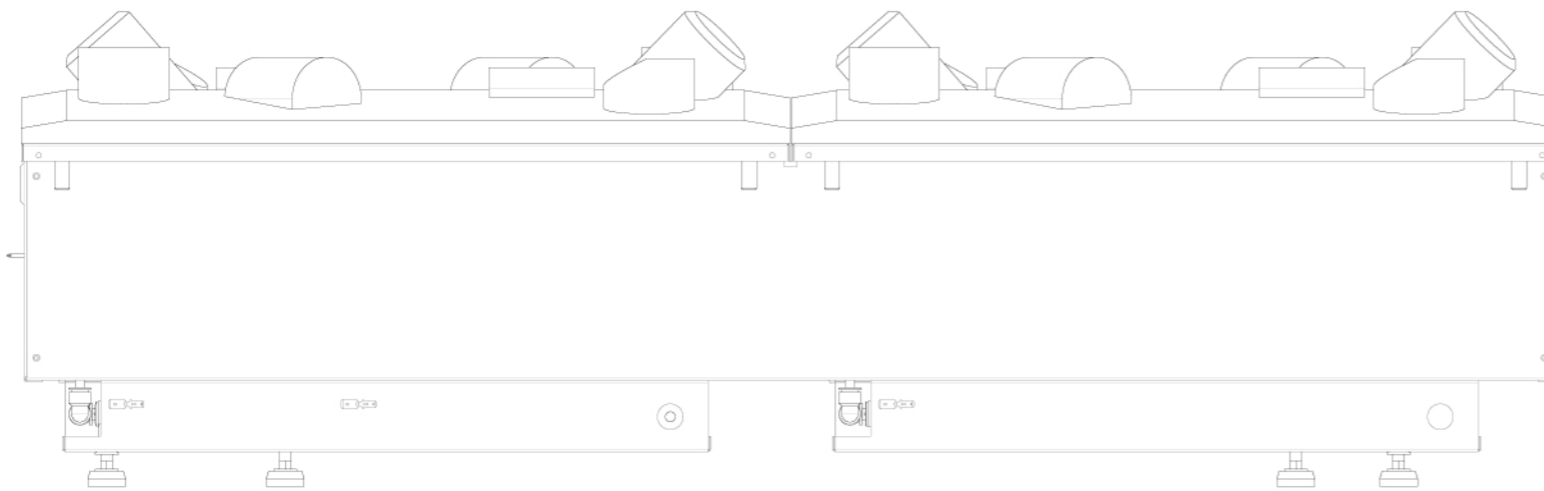


SCALE 0.200



ISSUE	MODIFICATIONS	OCN	APPD	DATE	NOTES					PROJECT			
A	RELEASE FOR SAMPLING	----	HC	11-02-15						CAS1000			
						DRAWN BY	DATE	SCALE	HOLE TOL	GEN TOL	TITLE	NO. OFF: 1	
						HC	11-02-15		+/-0.05	0 +/-0,4	ASSEMBLY		
						APP'D BY	DATE	DIM IN	ANGLES	0,0 +/-0,2			
								mm	+/-0.5°	0,00+/-0,1			
						DO NOT SCALE			MATERIAL		DRG NO		A3
						IF IN DOUBT ASK	ANGLE PROJECTION		FINISH		7/20270/0		
										R.o.H.S. compliant		Sht 1 of 1	
										All materials must comply with the requirements of European Directive 2011/65/EU on the restriction of the use of certain hazardous substances			