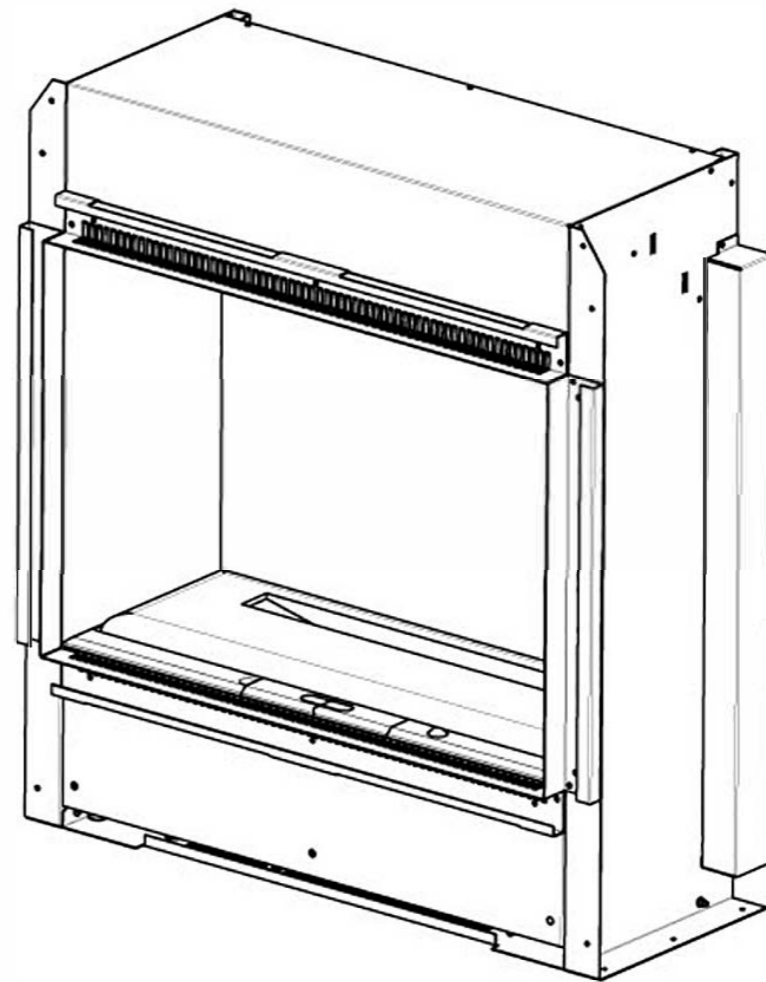
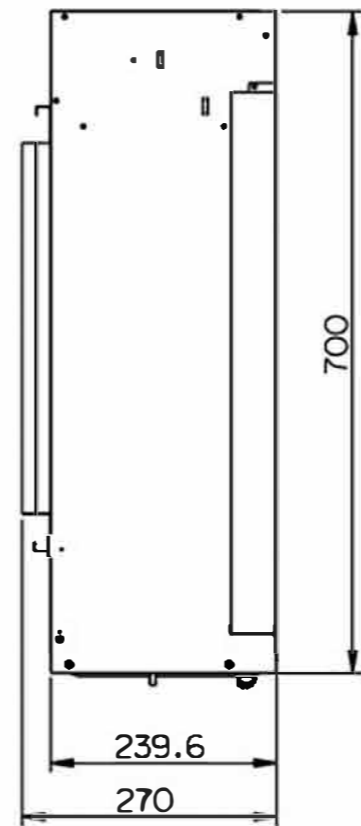




SCALE 0.125



SCALE 0.150

ISSUE	MODIFICATIONS	OCN	APPD	DATE	NOTES	maisonFire 				PROJECT		
A	RELEASE FOR SAMPLING	—	HC	08-11-12		DRAWN BY	DATE	SCALE	HOLE TOL	GEN TOL	TITLE	
						HC	08-11-12		+/-0.05	0 +/-0,4	FOCOLARE 60	
						APP'D BY	DATE	DIM IN	ANGLES	0,0 +/-0,2	NO. OFF: 1	
								mm	+/-0.5°	0,00 +/-0,1	DRG NO	
						DO NOT SCALE	THIRD ANGLE PROJECTION 		R.o.H.S. compliant		A3	
						IF IN DOUBT ASK	FINISH		All materials must comply with the requirements of European Directive 2002/95/EC on the restriction of the use of certain hazardous substances		Sht 1 of 2	
											7/20104/0	